



## INSTALLATION INSTRUCTIONS FOR PART 95-9000

### APPLICATIONS

## Universal DDIN Housing

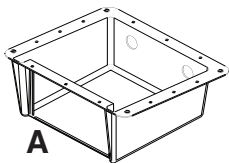
# 95-9000

### KIT FEATURES

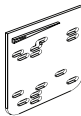
- DDIN Head Unit Provision
- ISO Stacked Head Unit Provision

### KIT COMPONENTS

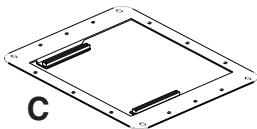
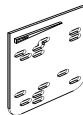
A) Radio Housing B) DDIN Brackets C) Radio Support Plate D) (8) 3/4" Phillips Screws



A



B



C



D

### TOOLS REQUIRED:

- Phillips Screwdriver



**METRA. THE WORLD'S BEST KITS.™**



**1-800-221-0932**



**www.metraonline.com**

© COPYRIGHT 2007-2009

METRA ELECTRONICS CORPORATION

## **TABLE OF CONTENTS**

### **Kit Assembly**

**- DDIN / Stacked ISO DIN Head Unit Provisions ..... 1**

**\*Note:**

**Refer also to the instructions included with the aftermarket radio.**



### **KNOWLEDGE IS POWER**

Enhance your installation and fabrication skills by enrolling in the most recognized and respected mobile electronics school in our industry. Log onto [www.installerinstitute.com](http://www.installerinstitute.com) or call 800-354-6782 for more information and take steps toward a better tomorrow.

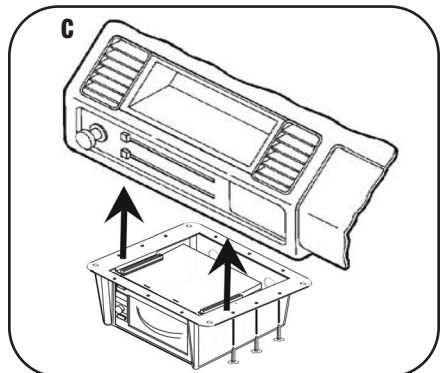
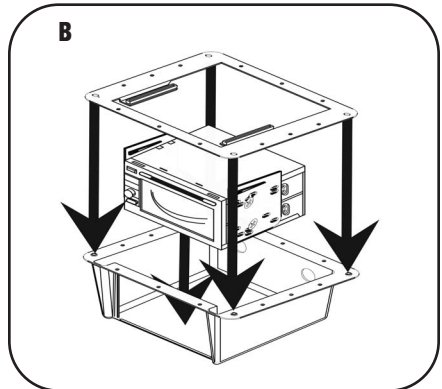
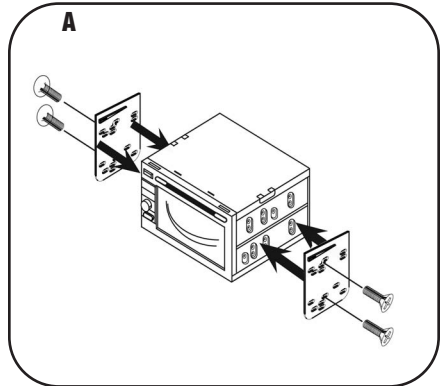


Metra recommends MECP certified technicians.

**DOUBLE DIN / STACKED ISO DIN HEAD UNIT PROVISIONS**

*\*Note: Refer also to the instructions included with the aftermarket radio.*

- 1** Determine whether the radio/ kit assembly will be mounted on top of a surface or under it (over dash vs. under dash...), and then mount the radio accordingly.
- 2** Mount the brackets to the head unit with the screws supplied with the unit. (Figure A)
- 3** Place the radio into the housing and rout wires and antenna through the holes provided on the back of the housing. (Figure B)
- 4** Place the support plate over it and align the slots from the support plate with the brackets. (Figure B)
- 5** Mount the radio / housing assembly to the dash. (Figure C)



# 95-9000 INSTRUCTIONS

**METRA. THE WORLD'S BEST KITS.™**



**1-800-221-0932**



**[www.metraonline.com](http://www.metraonline.com)**

REV. 12/07/09 © COPYRIGHT 2003-2009 METRA ELECTRONICS CORPORATION INST95-9000